

b/s/t ALIT Drain

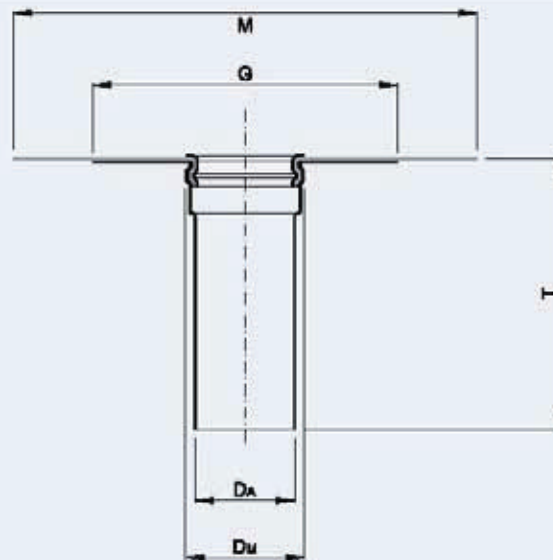
(Stacking element)

Material: Aluminium

Pipe length: 300 mm or 450 mm,
with base plate

Membrane flange:
Polyolefin, EPDM, ECB, PIB, PVC etc.
(see page 70 / 71)

Membrane flange
please order separately.



Nominal Width	Product No.	D _A Ø [mm]	D _M Ø [mm]	G Ø [mm]	M [mm]	T [mm]	Flow Rate Q [l/s]*	AH [mm]**
DN 70	A 121-070450	75	90	325	500	450	4,60	35
DN 100	A 121-100300	110	130	325	500	300	5,90	35
DN 100	A 121-100450	110	130	325	500	450	5,90	35
DN 125	A 121-125300	125	145	325	500	300	8,90	45
DN 125	A 121-125450	125	145	325	500	450	8,90	45

*with b/s/t Universal Leaf Grate; **AH = water level

WG-1212

Status: 05.11 b/s/t GmbH & Co. Kunststofftechnologie reserves the right to realize technical modifications.