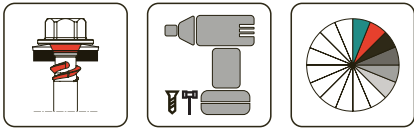
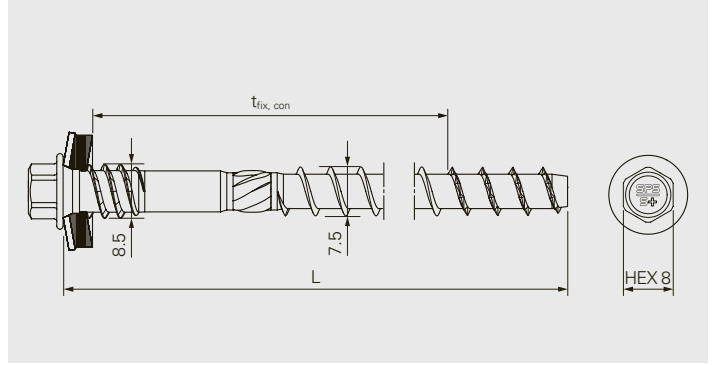


# MXC-7.5-A4



## Description

Self-tapping fastener made of stainless steel with support thread and sealing washer  
 Double support thread with free-spin zone and cut-off thread-end

## Application

Fastening of sandwich panels onto concrete  
 Fastening of profile sheets onto concrete

## Component 1 (t<sub>1</sub>)

Steel<sup>1)</sup>

0.4–1.5

## Component 2 (t<sub>2</sub>)

Concrete

$h_{nom} \geq 65$

Pre-drill  $\varnothing 6.0$

<sup>1)</sup> Cover sheet in case of sandwich panel

## Fastener material

Austenitic stainless steel A4, hardened tip  
 Sealing washer: Austenitic stainless steel A4, EPDM-seal

## Approvals

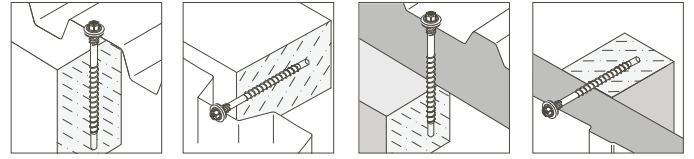


ETA-20/0115

## Features and Benefits

- Fastener design for high technical values in the application
- Easy and comfortable installation with impact driver
- Perfect support function by double support thread
- Toothed functional tip for smooth screwing in and decreased thread abrasion
- Small fastener and edge distances as there is no spreading effect
- High bending capacity for absorption of thermal expansions
- High quality EPDM-seal with long durability

All measures in mm



## Fastener in A4

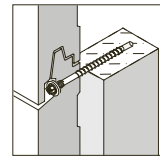
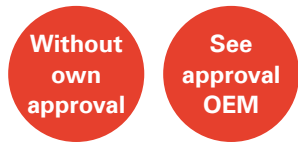
Product code	PU	L	t <sub>fix, con</sub>	S16/A4	S19/A4	S22/A4
MXC-S19/A4-7,5×95-A4	100	95	20–27	1596755	1596762	1596768
MXC-S19/A4-7,5×115-A4		115	37–47	1596786	1596788	1596790
MXC-S19/A4-7,5×135-A4		135	57–67	1596802	1596806	1596807
Recommended torque force 200-300 Nm						
MXC-S19/A4-7,5×155-A4	100	155	77–87	1596812	1596813	1596818
MXC-S19/A4-7,5×175-A4		175	97–107	1596862	1596866	1596868
MXC-S19/A4-7,5×195-A4		195	117–127	1596947	1596953	1596956
MXC-S19/A4-7,5×215-A4		215	137–147	1597023	1597024	1597025
Recommended torque force 250-400 Nm						
MXC-S19/A4-7,5×235-A4	100	235	157–167	1597028	1598660	1598674
MXC-S19/A4-7,5×255-A4		255	177–187	1598678	1598686	1598715
MXC-S19/A4-7,5×275-A4		275	197–207	1598722	1598726	1598727
MXC-S19/A4-7,5×295-A4		295	217–227	1598733	1598735	1598791
MXC-S19/A4-7,5×315-A4		315	237–247	1598798	1598813	1598814
Recommended torque force 350-600 Nm						
MXC-S19/A4-7,5×335-A4	100	335	257–267	1598917	1598932	1598970
MXC-S19/A4-7,5×355-A4		355	277–287	1598993	1599213	1599214
MXC-S19/A4-7,5×375-A4		375	297–307	1599216	1599217	1599218

Recommended torque force 600-800 Nm

Please refer to the "Definition of clamping range and fixing thickness" in the technical introduction for definitions and diagrams related to t<sub>fix, con</sub>.

### All measures in mm

All information is non-binding and without guarantee. Before using the products, all specifications and calculations must be checked by a suitably qualified person and local regulations must be observed. This document is subject to revision. We reserve the right to make technical changes.



## Fastener in A4

Product code	PU	L	t <sub>fix, con</sub>	no washer
MXC-7,5×95-A4	100	95	23–30	1596782
MXC-7,5×115-A4		115	40–50	1596801
MXC-7,5×135-A4		135	60–70	1596811

Recommended torque force 200-300 Nm

MXC-7,5×155-A4	100	155	80–90	1596820
MXC-7,5×175-A4		175	100–110	1596891
MXC-7,5×195-A4		195	120–130	1596957
MXC-7,5×215-A4		215	140–150	1597026

Recommended torque force 250-400 Nm

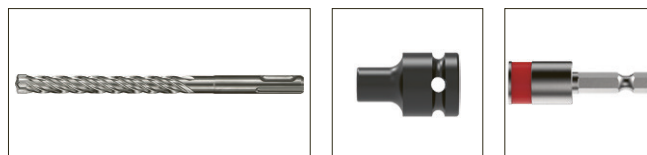
MXC-7,5×235-A4	100	235	160–170	1598675
MXC-7,5×255-A4		255	180–190	1598720
MXC-7,5×275-A4		275	200–210	1598728
MXC-7,5×295-A4		295	220–230	1598795
MXC-7,5×315-A4		315	240–250	1598816

Recommended torque force 350-600 Nm

MXC-7,5×335-A4	100	335	260–270	1598972
MXC-7,5×355-A4		355	280–290	1599215
MXC-7,5×375-A4		375	300–310	1599219

Recommended torque force 600-800 Nm

Please refer to the "Definition of clamping range and fixing thickness" in the technical introduction for definitions and diagrams related to t<sub>fix, con</sub>.



## Accessories

Product description	Insert drive	Recess	PU	D	L	
SDS-6x215/150-4C	-	-	1	6	215	1487583
SDS-6x315/250-4C					315	1487584
SDS-6x515/455-4C					515	1608141
Socket E308-¼"-50	HEX¼"	HEX8	1	-	50	1646160
Socket E508-½"-40	HEX½"				40	1648380

All measures in mm