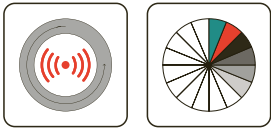
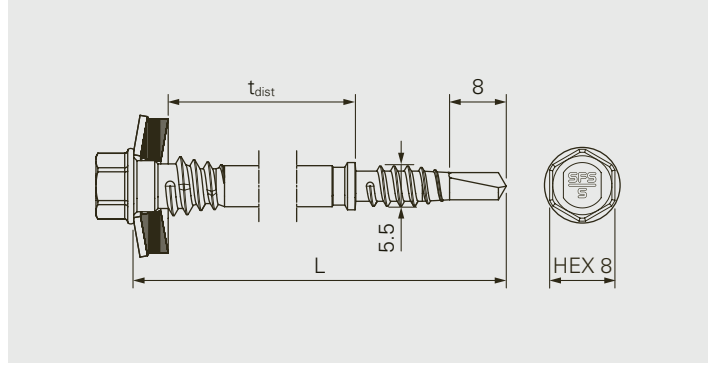


# SXD3-5.5-A2



## Description

Self-drilling fastener made of stainless steel with support thread, shank flange, free-spin zone and sealing washer  
Wide support thread with free-spin zone and cut-off thread-end

The system fastener SXD3 can only be purchased through Rockwool or Saint-Gobain Isover in Germany.

## Application

Distance fastening of profile sheets onto liner trays

## Component 1 (t<sub>1</sub>)

Steel <sup>1)</sup>	0.63–1.5
Aluminium <sup>1)</sup>	0.8–1.5

<sup>1)</sup> Pre-drill Ø 6.5

## Component 2 (t<sub>2</sub>)

Steel	1.0–1.5
Steel	2×0.75–1.25

## Fastener material

Austenitic stainless steel A2, hardened tip

Sealing washer: Austenitic stainless steel A2, EPDM-seal

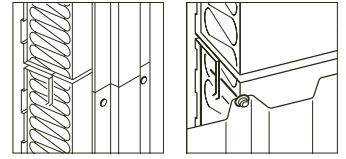
## Features and Benefits

- Precisely fastening distance by shank flange as distance element
- Perfect support function by wide support thread
- No torque control required thanks to the free-spin zone
- Comfortable installation without overwinding risk
- High security against unwinding by the cut-off thread-end
- High quality EPDM-seal with long durability

## Approvals



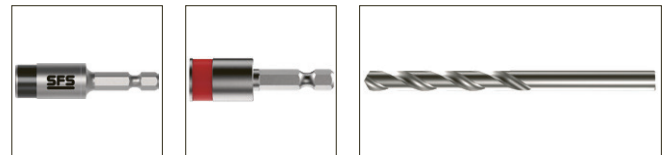
All measures in mm



## Fastener in A2

Product code	PU	L	t <sub>dist</sub>	S16
SXD3-S16-5,5×64-A2	100	64	40	1526645
SXD3-S16-5,5×104-A2	250	104	80	1541205

Please refer to the "Definition of clamping range and fixing thickness" in the technical introduction for definitions and diagrams related to t<sub>dist</sub>.



## Accessories

Product description	PU	Insert Drive	Recess	L	
SOK-IT-¼"-57-6Nm	1	HEX¼"	HEX8	57	1667323
Socket E308-¼"-50				50	1646160
HSS-6,5×101/63		-	-	101/63	893457

### All measures in mm

All information is non-binding and without guarantee. Before using the products, all specifications and calculations must be checked by a suitably qualified person and local regulations must be observed. This document is subject to revision. We reserve the right to make technical changes.